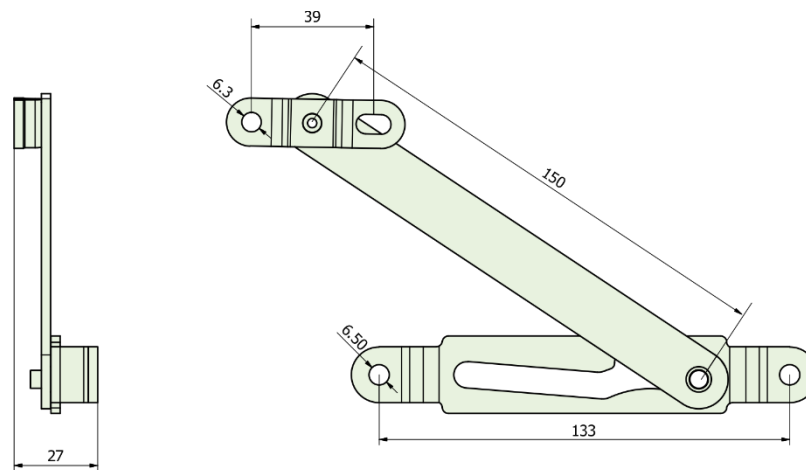


PRODUCT FEATURES & TECHNICAL INFORMATION

- Releasable restrictor often used on bottom hung inward opening windows
- For use on each side of the window to support and hold the window when in open position
- Design of track allows the restrictor to be released once in the open position
- Can be used as a conventional releasable restrictor on side hung windows
- Suitable for systems which have internal dimension between fixed and moving frame greater than 25mm
- Restrictors sold in pairs left (LH) and right hand (RH)
- Suitable for M6 countersunk fixing screws

SS571 Releasable Concealed Restrictor



SS571

Steel Window Fittings / Hinges /SS571

Dimensions